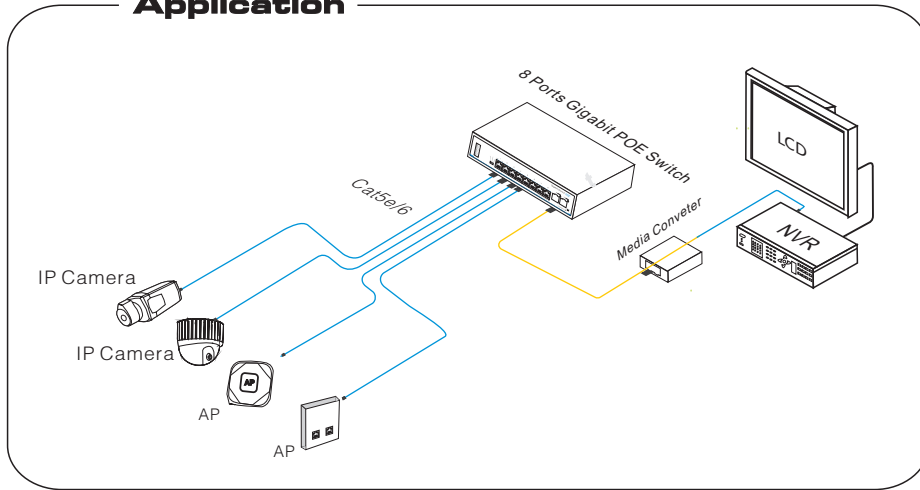


8 Ports Gigabit PoE Ethernet Switch User Manual

V1.0

8 Ports Gigabit PoE Ethernet Switch is an unmanaged Ethernet switch designed for Gigabit Ethernet access and PoE applications. It provides eight Gigabit downlink ports, and two Gigabit optical SFP module slots. The eight downlink ports support 802.3af/at standard and feature Max 30W PoE power output of single port, Max 135W of whole machine. Support three kinds of work mode (Default, VLAN, CCTV), and supports 8 LED digital tube display machine PoE power usage. It can be widely used in security surveillance, hotels, schools, SMB engineering and other occasions.

Application



Feature

- Main Function: Provide 8*10/100/1000Base-T Ethernet ports(PoE) ,2*1000BASE-X SFP ports;
- Compliance with standards: IEEE802.3 、 IEEE802.3u、 IEEE802.3ab、 IEEE802.3z、 IEEE802.3X、 IEEE802.3af/at;
- PoE Power Display: Support 8 LED digital tube display machine PoE power usage. whole machine reaches 135W PoE power output;
- One-key Smart: Support three kinds of working modes (Default, VLAN, CCTV);
- Protection: Support 6KV surge immunity, EFT testing standard;
- Operation Environment: Support -10°C~45°C wide-temperature;
- Operation: Plug&play, convenient to use, support desktop, wall-mounted installations.

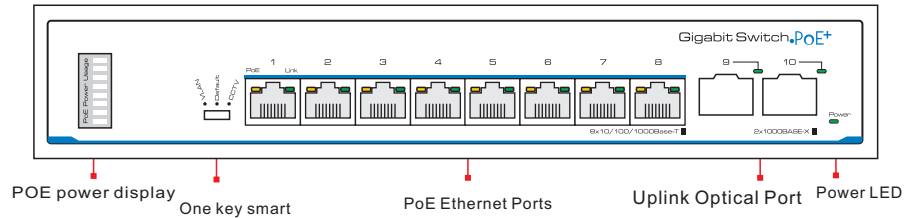
! Notice

The transmission distance depends on the signal source and cable quality; standard Cat5e/6 Ethernet cable is strongly suggested for reaching the maximum transmission distance!

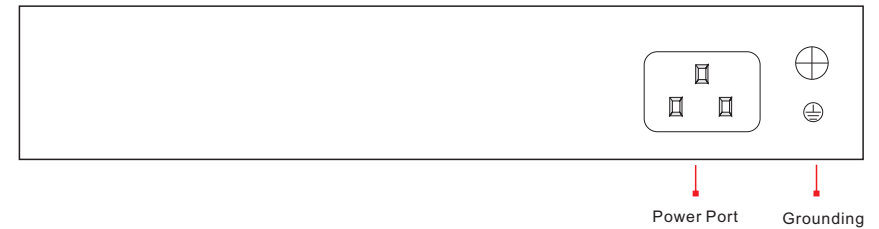
8 Ports Gigabit PoE Ethernet Switch

Board Diagram

Front Board



Back Board



! Notice

- 1) Device must be connected with lightning protection grounding; otherwise protection level will be greatly reduced; please use above No.20 wire to connect the grounding terminal;
- 2) The device requires rebooting after the dial switch has been utilized.

Installation Steps

Please check the following items before installation, if it is missing, please contact the dealer.

- Ethernet Switch 1pc
- AC Power Cable 1pc
- Accessory 1pc
- User Manual 1pc

Please follow installation steps as below:

- 1) Turn off the power of all the related devices before the installation; otherwise the device would be damaged;
- 2) Connect PoE cameras with 1~8 downlink ports of product by Ethernet cable;
- 3) Connect UPLINK port of product with NVR or PC by Ethernet cable;
- 4) Connect power adapter;
- 5) Check if the installation is correct, equipment is in good condition, the connection is stable, then power on for system;
- 6) Ensure the Ethernet equipment with power on can work properly.

Specification

Item	Description
Downlink Ports	8x10/100/1000Base-T Ethernet Ports(PoE)
Uplink Ports	2x 1000Base-X SFP Port
Network Standard	Support IEEE 802.3/802.3u/IEEE802.3ab/IEEE802.3z/IEEE802.3x
Switch Capacity	20Gbps
Packet Forwarding Rate	14Mpps
Buffer	1M
MAC Address List	4K
PoE Standard	802.3af/at(PSE)
PoE Mode	End-span
PoE Power Supply	1/2(+), 3/6(-)
PoE Output	Single PoE Output≤30W(54V DC), Whole machine PoE output≤135W
PoE power display	Support 8 LED digital tube to display machine PoE power usage
One-key Smart	Default: All ports are free to communicate
	VLAN: The down ports are isolated from each other
	CCTV: Optimize flow control for port isolation
Surge Immunity	6KV
ESD Protection	Contact discharge 6K, Air discharge 8KV, Per: IEC61000-4-2
Voltage Input	AC 110V~240V
Power Consumption	5W
Operation Temperature	-10°C~+45°C
Storage Temperature	-40°C~+85°C
Operation Humidity	5%-95%(Non-condensing)
Dimensions(LxWxH)	245mm×245mm×44mm
Material	Metal
Weight	1kg

Product parameters are project to change without prior notice.

Trouble Shooting

If any trouble with operation, please follow these steps to do troubleshooting:

- Please make sure you have followed the instruction to install the device;
- Please confirm if the RJ45 cable order is in accordance with the EIA/TIA568A or 568B industry standards;
- The power supply of each PoE port is no more than 30W; please do not connect the PoE device which exceeds the maximum PoE power supply;
- Please replace a failure device with a proper one to check if the device is broken;
- Please contact your vendor if trouble still exists.

RJ 45 Making Method

Tools to make RJ45: wire crimper, network tester.

Wire sequence of RJ45 plug should conform with EIA/TIA568A or EIA/TIA568B standard.

- 1) Strip off the 2cm insulating layer to expose the 4 pairs UTP cable;
- 2) Separate the 4 pairs of UTP cable and straighten them;
- 3) Line up the 8 separated pieces of cables per EIA/TIA 568A or 568B;
- 4) Cut the cables to leave 1.5cm bare wire and make sure 8 thread ends are flat and neat ;
- 5) Insert 8 cables into RJ45 plugs, make sure each cable is inserted in each pin;
- 6) Then use wire crimper to crimp the RJ45;
- 7) Do the above 5 steps again to make the another end of the twisted pair and make sure consistent cable order between two ends ;
- 8) Using network tester to test the cable.

Pin	color
1	white/green
2	green
3	white/orange
4	blue
5	white/blue
6	orange
7	white/brown
8	brown



EIA/TIA 568A

Pin	color
1	white/orange
2	orange
3	white/green
4	blue
5	white/blue
6	green
7	white/brown
8	brown



EIA/TIA 568B



Notice

- When choose RJ-45 make sure if one end is EIA/TIA568A, the other end should also be EIA/TIA568A.
- When choose RJ-45 make sure if one end is EIA/TIA568B, the other end should also be EIA/TIA568B.